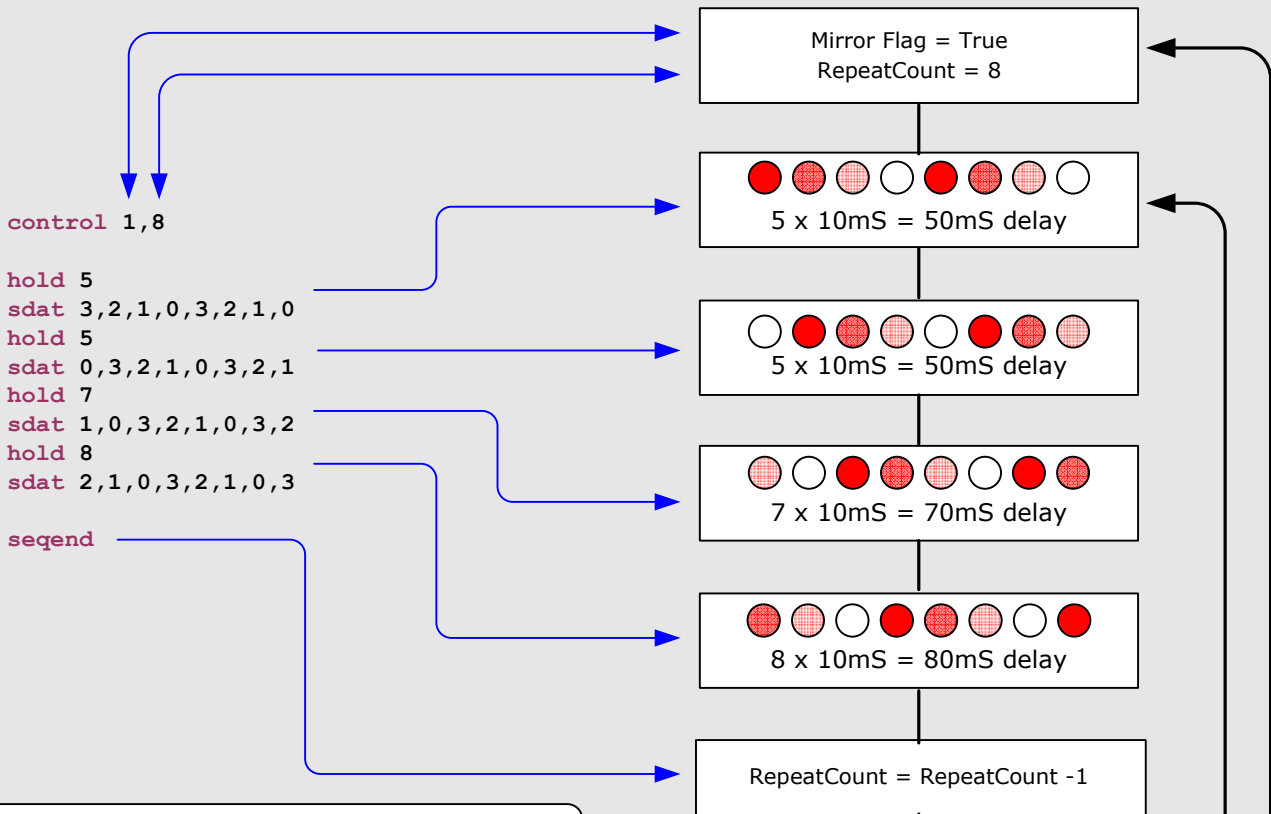


# PWM LED Chaser

Sequence Flow, Commands and Data Format  
<http://picprojects.org.uk>



**Sequence definition commands**

**control m, r**  
 m=0 false, don't mirror data   
 m=1 true, data can be mirrored   
 1 <= r <= 31 repeat count

**hold h**  
 1 <= h <= 254 Hold time x 10mS

**sdatt D7, D6, D5, D4, D3, D2, D1, D0**  
 0 <= Dn <= 3 LED brightness

**seqend**  
 mark end of single sequence definition

For asymmetric patterns setting the Mirror flag to 1 tells the program to treat one set of sequence data as two separate sequences. This increases the number of effective sequences without using more memory. The example below shows the effect of mirroring; the sequence on the right is the mirror of that on the left.

