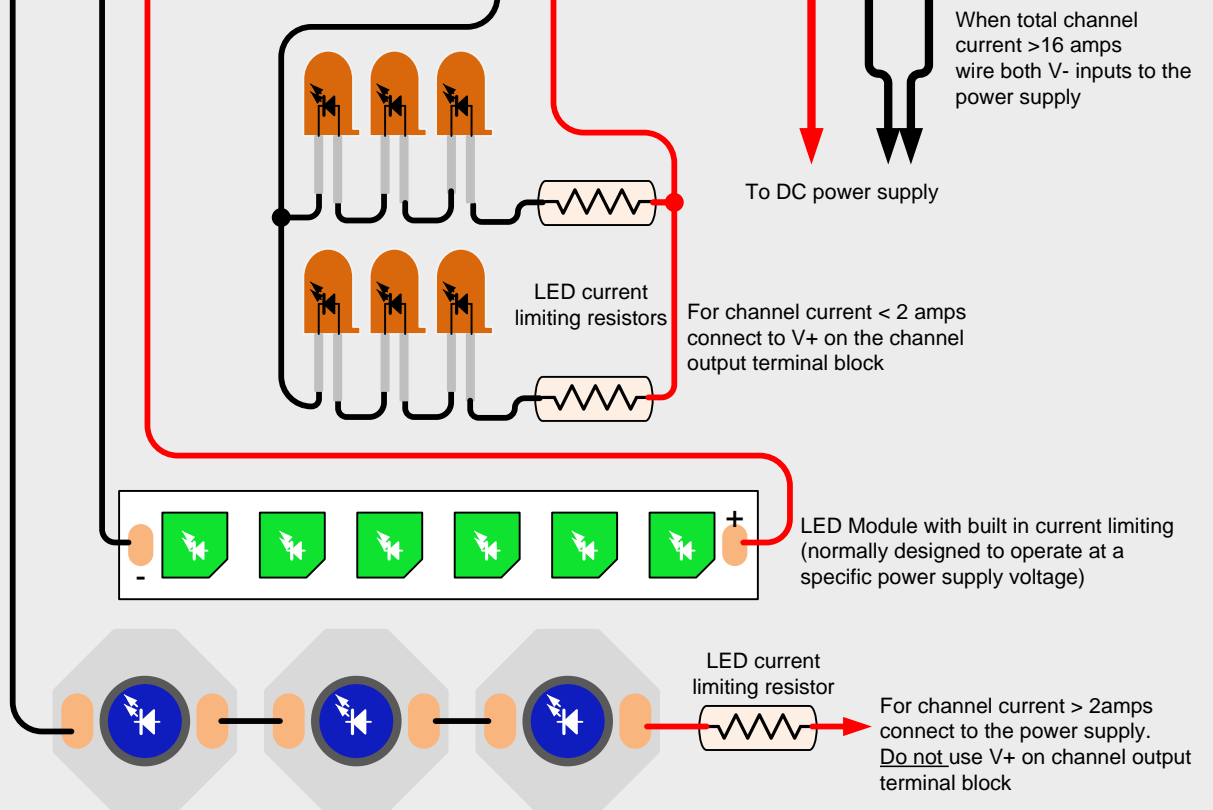
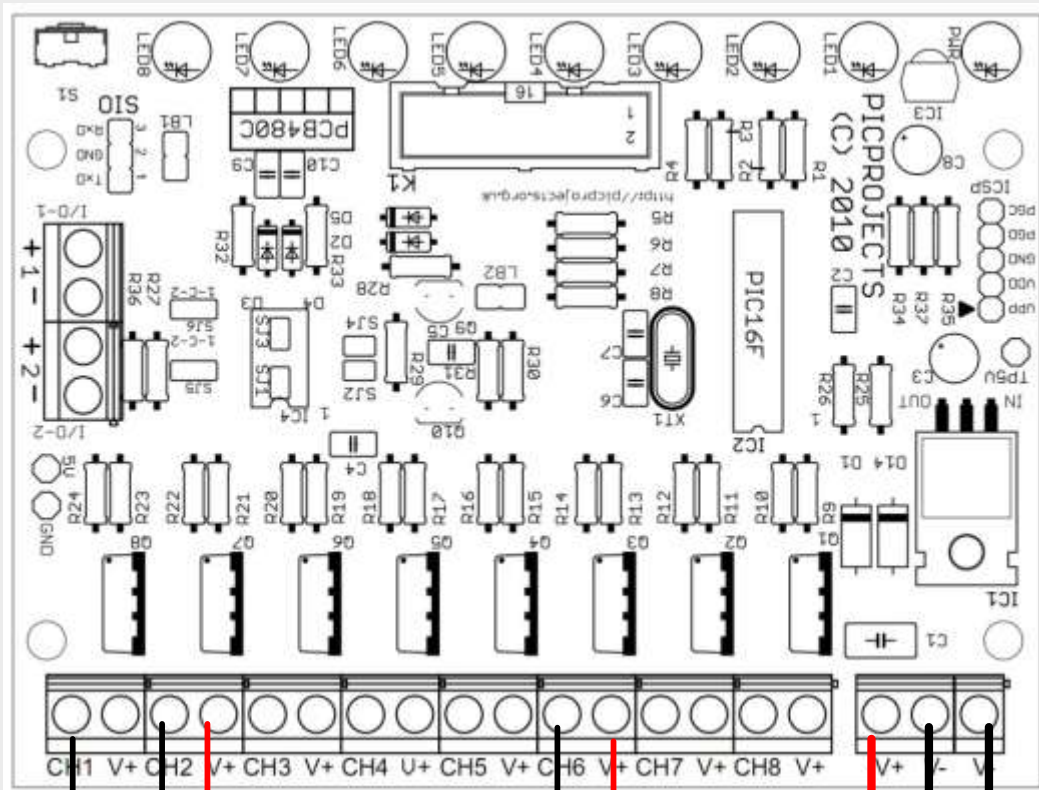


Connecting LEDs to the Power MOSFET LED chaser board

<http://picprojects.org.uk>



- Some LED modules will be designed to operate from a specific supply voltage. In this case current limit resistors are not required, however you must ensure the power supply output voltage is correct for the LED modules being used.
- Where individual LEDs are being wired to the control board they will require an external current limiting resistor to be used in each LED string. The value and power rating for the resistor needs to be calculated based on LED forward voltage, number of LEDs in series and power supply voltage.