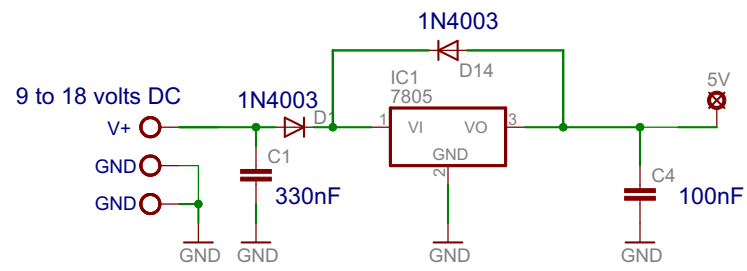
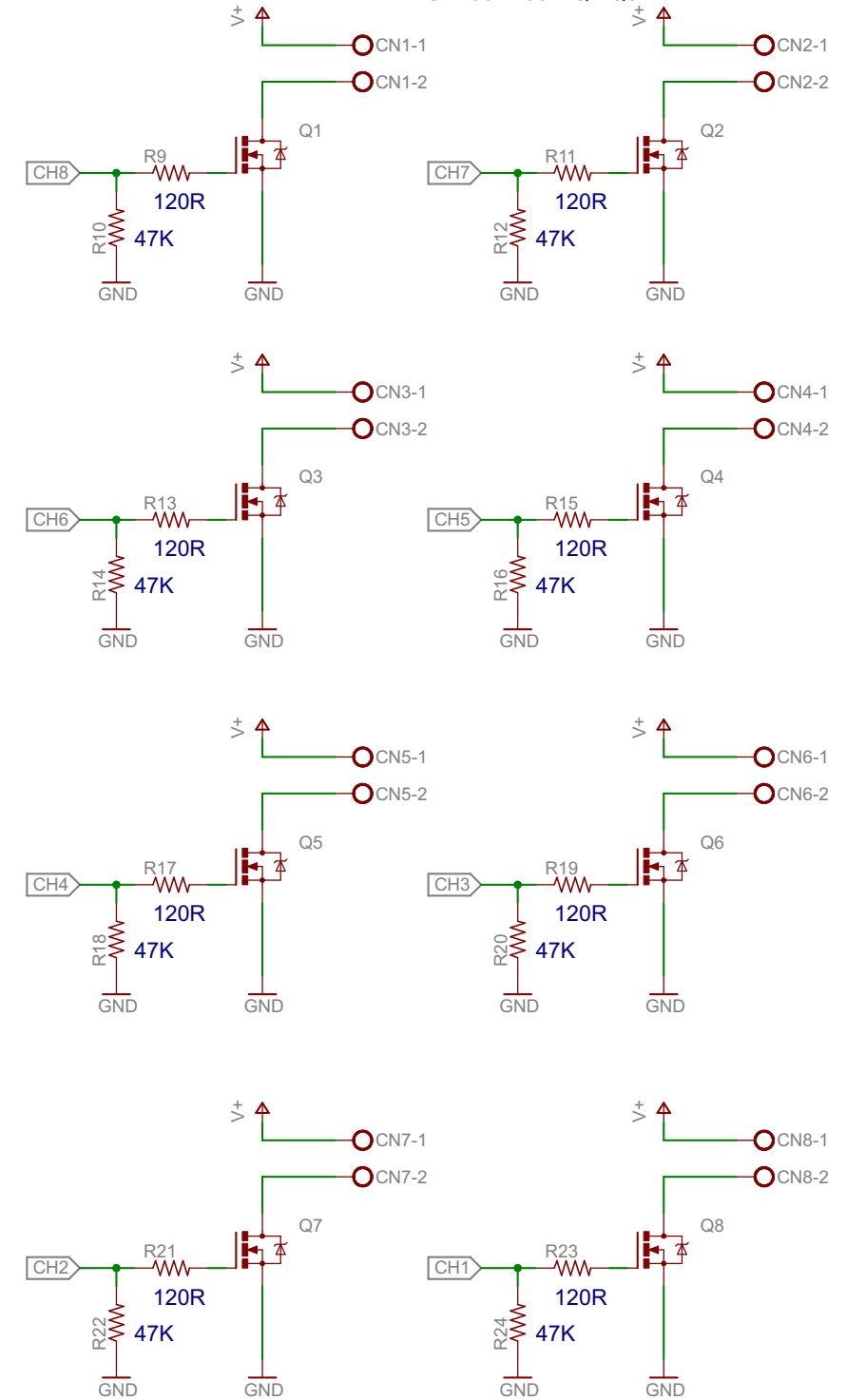


Power input and 5 volt regulator

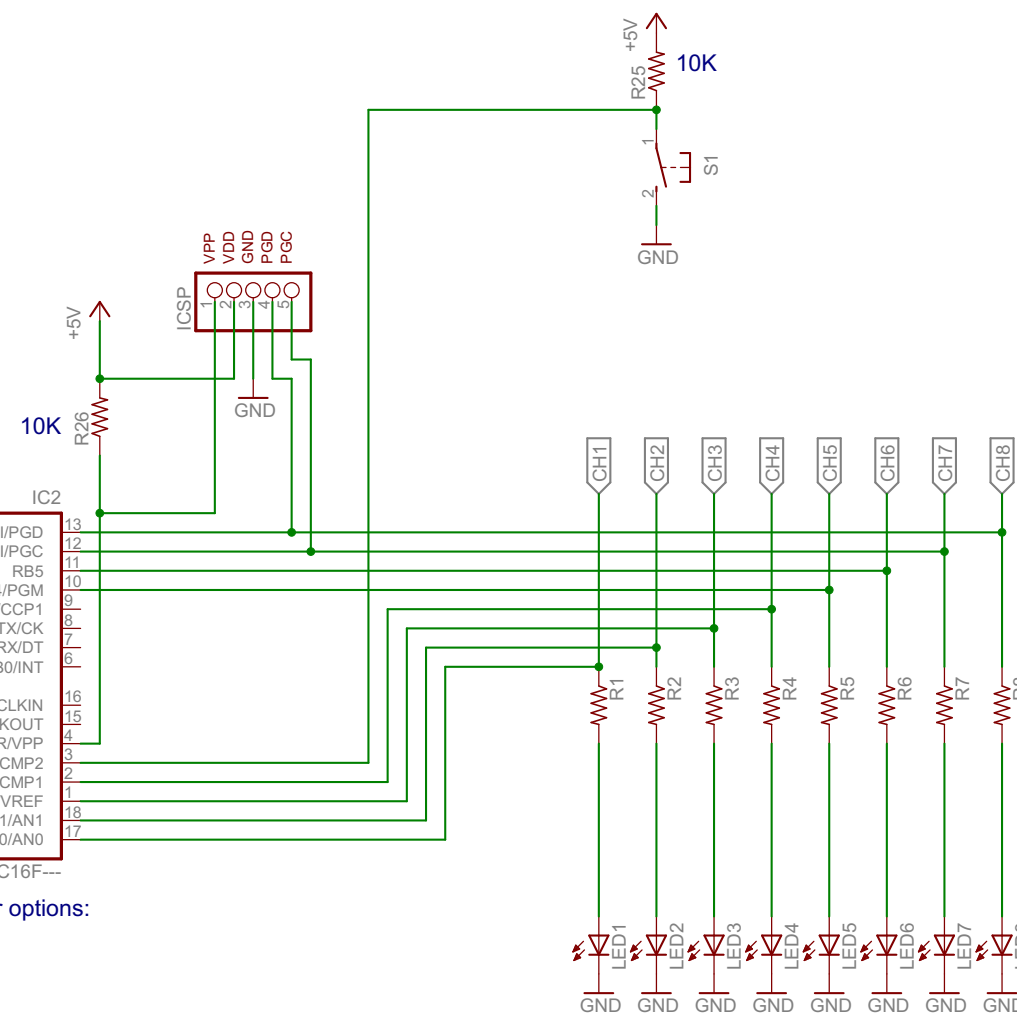


Option: Power output driver

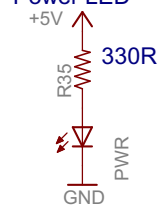
N-Channel logic level MOSFET  
STP36NF06L Q1-Q8



Option: Switch



Option: Power LED



Microcontroller options:  
PIC 16F628A

PWM Power LED Chaser  
Picprojects kit #483  
PCB Revision C

<http://picprojects.org.uk>  
udb483power  
26/10/2010 15:17:50  
Sheet: 1/1