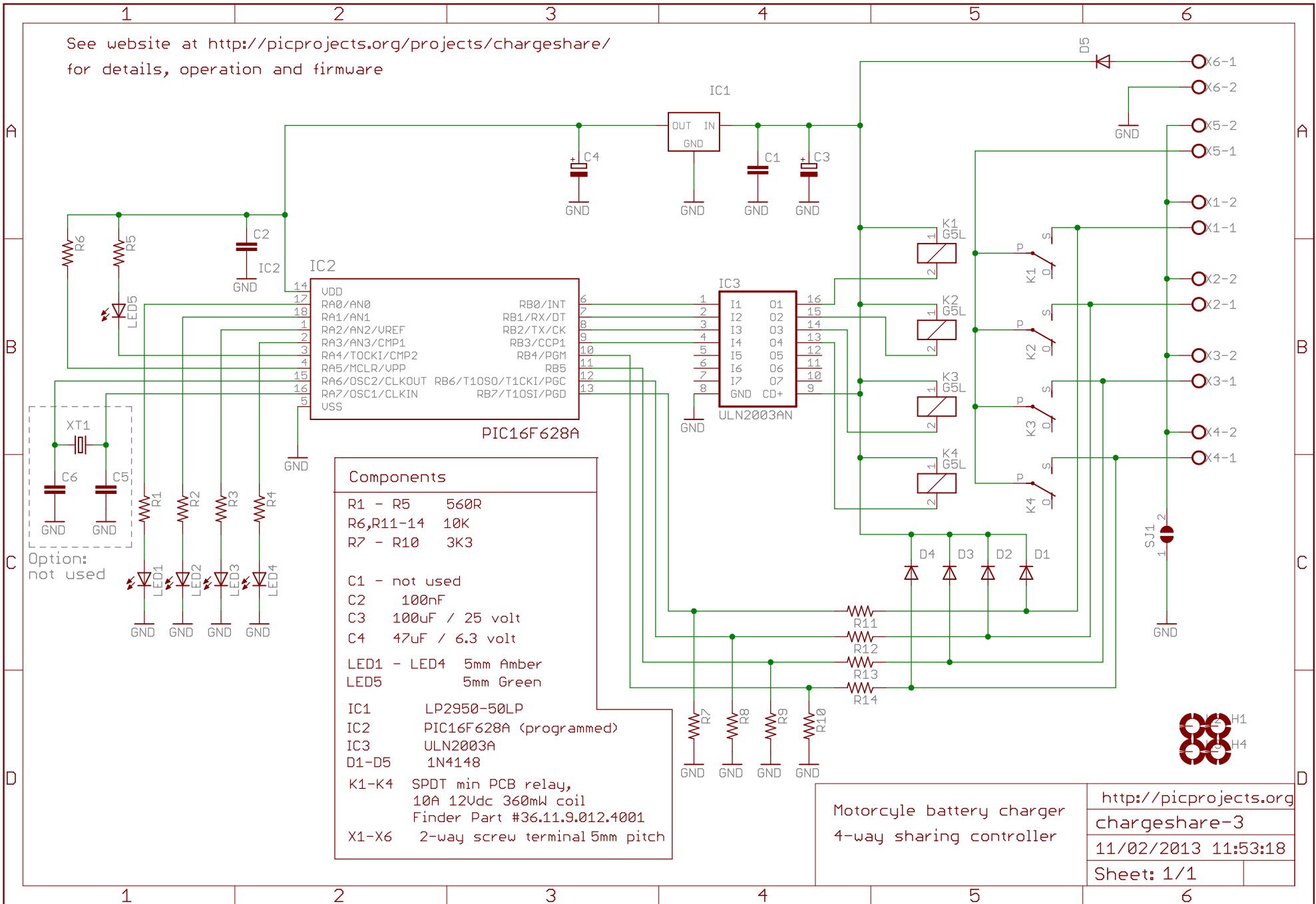


See website at <http://picprojects.org/projects/chargeshare/>  
for details, operation and firmware



**Components**

R1 - R5	560R
R6, R11-14	10K
R7 - R10	3K3
C1	not used
C2	100nF
C3	100uF / 25 volt
C4	47uF / 6.3 volt
LED1 - LED4	5mm Amber
LED5	5mm Green
IC1	LP2950-50LP
IC2	PIC16F628A (programmed)
IC3	ULN2003A
D1-D5	1N4148
K1-K4	SPDT min PCB relay, 10A 12Vdc 360mW coil Finder Part #36.11.9.012.4001
X1-X6	2-way screw terminal 5mm pitch

Motorcycle battery charger  
4-way sharing controller

<a href="http://picprojects.org">http://picprojects.org</a>
chargeshare-3
11/02/2013 11:53:18
Sheet: 1/1