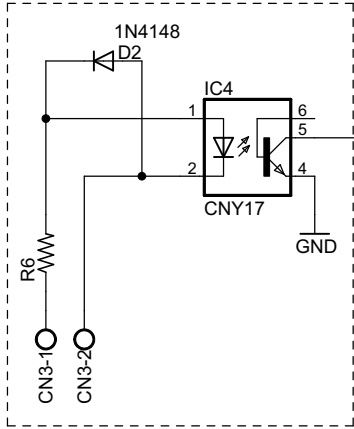


DC Power in provision for 2-way terminal 2.1mm DC Jack

Optional Required only for isolated switch input



- H1 MOUNT-PAD-ROUND3.2
- H2 MOUNT-PAD-ROUND3.2
- H3 MOUNT-PAD-ROUND3.2
- H4 MOUNT-PAD-ROUND3.2

Components

- R1 10R 1Watt
- R2 10R 1Watt
- R3 3K3 1/4watt
- R4 120R 1/4watt
- R5 270R 1/4watt
- R6 470R 0.6 watt
- R7 270R 1/4watt

- C1 100nF multilayer ceramic
- C2 220nF polyester
- C3 100nF multilayer ceramic
- C4 100uF 25 volt

- PR1 10K 6mm preset

- SW1 Omron B3F-10XX or similar

- LED1 3mm Green standard LED

- D1 1N5817 (Schottky)

- IC1 PIC 16F684
- IC2 ULN2003
- IC3 78L05

PIC16F684 will require programming with firmware from picprojects website

For latest firmware visit <http://picprojects.org.uk/projects/f1start/>

Outputs designed to drive Kingbright part # BL0307-50-44 52mm red LED cluster

Race Start Controller V3
<http://picprojects.org.uk>

© Pete Griffiths

f1_StartV3revD	
18/06/2009 00:28:54	
Sheet: 1/1	