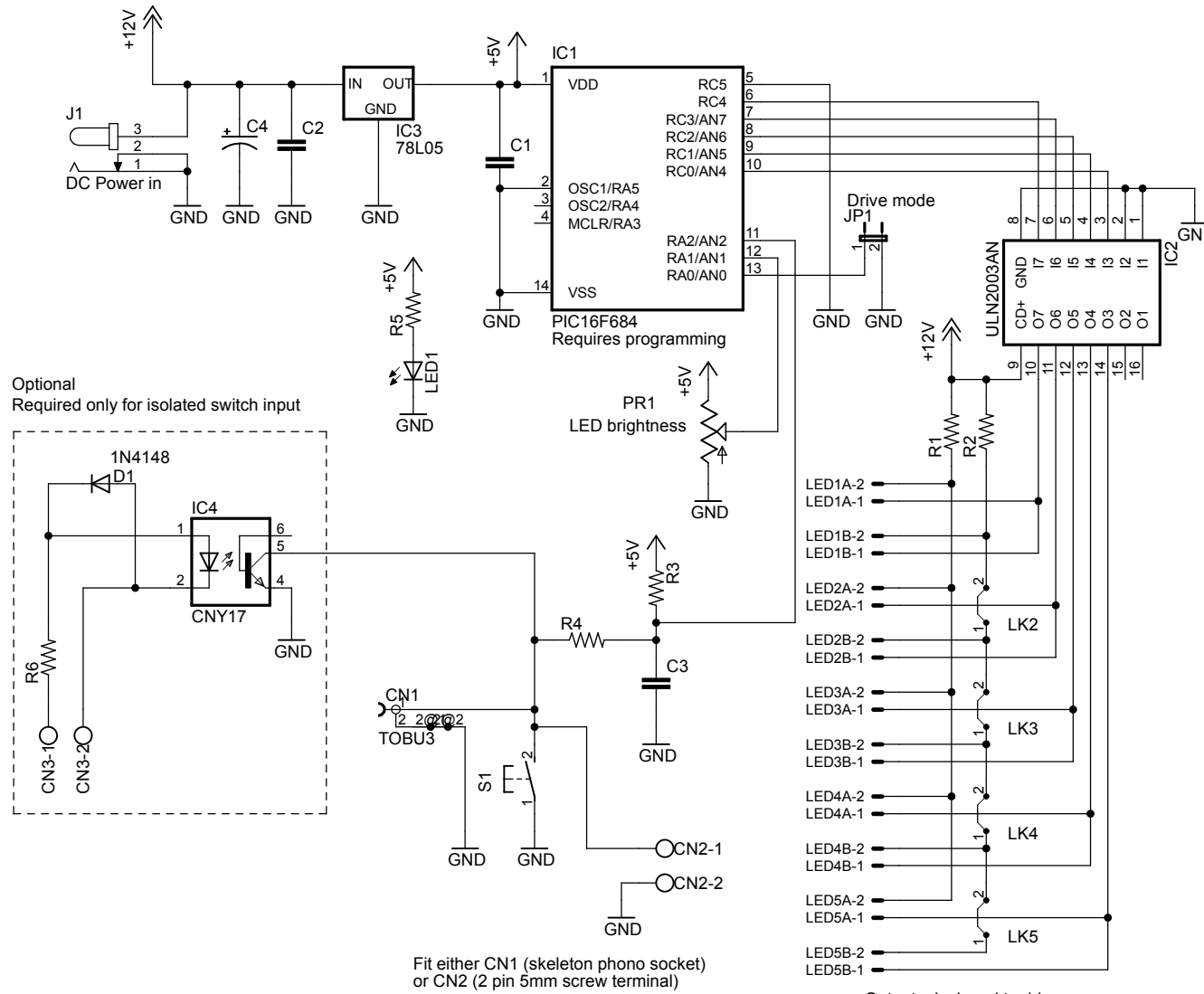


# Race Start Controller V2

<http://picprojects.org.uk>

26 May 2008 © Pete Griffiths



## Components

- R1 10R 1Watt
- R2 10R 1Watt
- R3 3K3 1/4watt
- R4 100R 1/4watt
- R5 150R 1/4watt

- C1 100nF multilayer ceramic
- C2 220nF multilayer ceramic
- C3 100nF multilayer ceramic
- C4 100uF 16volt

- PR1 10K 6mm preset
- SW1 Omron B3F-31XX or similar
- LED1 3mm Green standard LED

PIC16F684 will require programming with firmware from [picprojects website](http://picprojects.org.uk)

For latest firmware visit <http://picprojects.org.uk/projects/f1start/>

Outputs designed to drive Kingbright part # BL0307-50-44 52mm red LED cluster