

Using external relay boards to control higher power lamps or LED light units

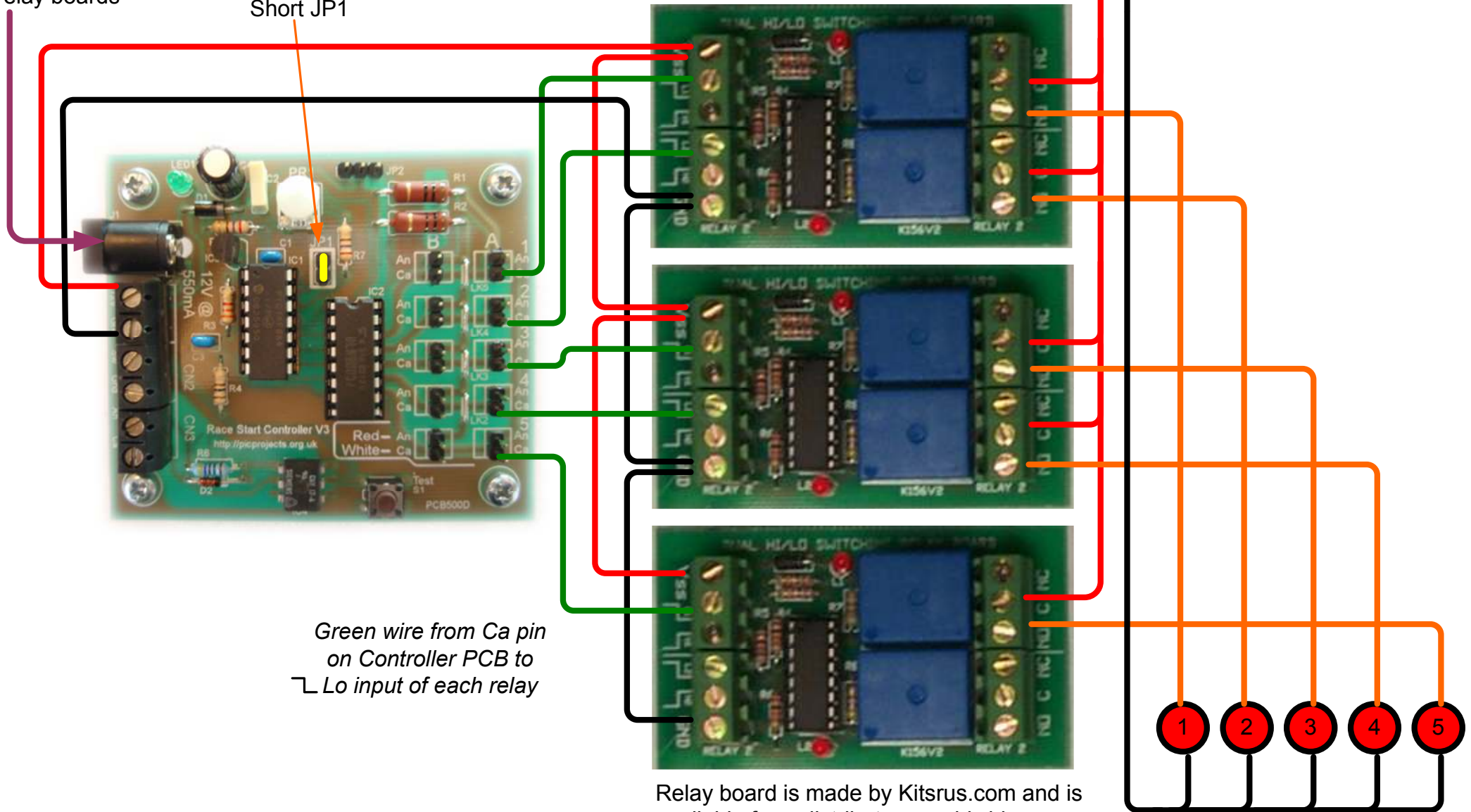
<http://picprojects.org.uk/projects/f1lights/>

+12V DC to power controller and relay boards

Short JP1

3# x Dual Hi/Lo Switching Relay Board

Light module power input
V+ Gnd



Green wire from Ca pin on Controller PCB to Lo input of each relay

Relay board is made by Kitsrus.com and is available from distributors worldwide.
Datasheet: <http://kitsrus.com/pdf/k156.pdf>