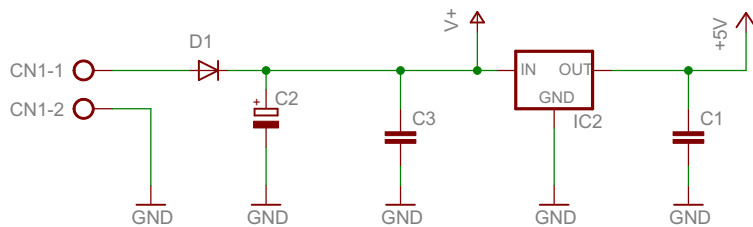
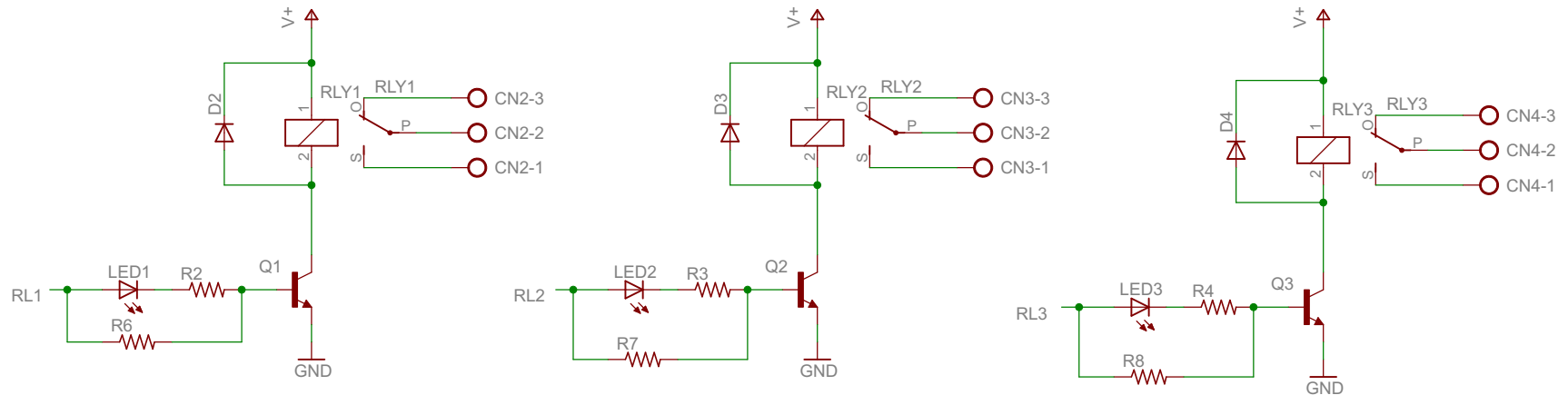
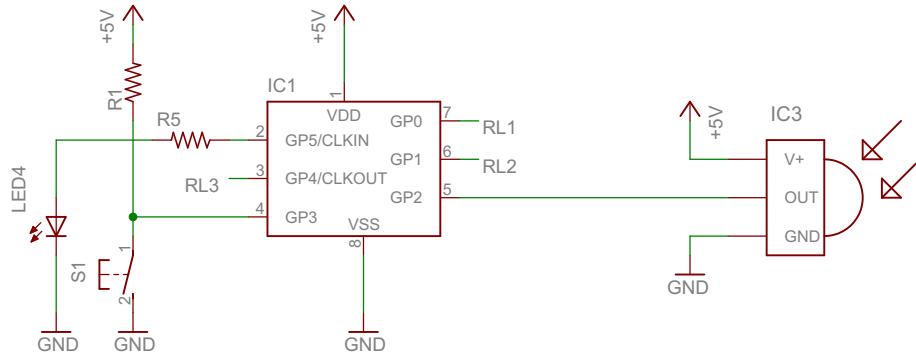


# 3 Channel IR Relay Controller

<http://picprojects.org.uk>

## Components

R1, R6,R7, R8	10K	D1,D2,D3,D4	1N4148
R2,R3,R4,R5	470R	LED1, LED2, LED3	3mm Green
C1	100nF	LED4	3mm Red
C2	47uF 16V	Q1,Q2,Q3	BC547 (BC548)
C3	220nF	IC1	12F629I/P - pre-programmed
		IC2	78L05
RLY1, RLY2, RLY3	IC3		TSOP4838
	12V / 360mW coil Omron G5LB / G5LE Finder 3611.9012.0000 Goodsky RW/RWH series	S1	R/A Tactile 6mm switch Omron B3F-31xx or similar
		CN1	2-way 5.08mm terminal block
		CN2,CN3,CN4	3-way 5.08mm terminal block



3 Channel IR Relay Controller

<http://picprojects.org.uk>

3chlearning

21/02/2010 20:11:23

Sheet: 1/1