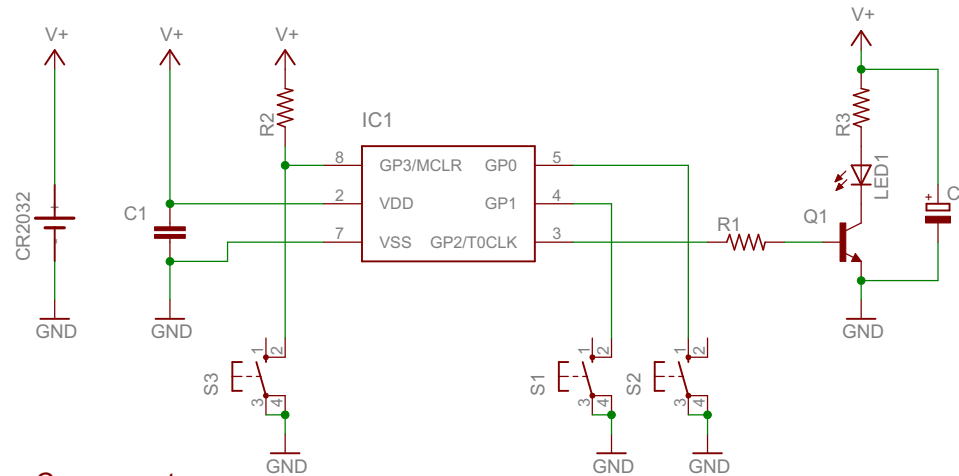


# 3-Button Mini IR Remote Control

<http://picprojects.org.uk>



## Components

Resistors 1/4 watt 5% CF

R1 470R

R2 10K

R3 10R

Q1 BC549

LED1 LD271 (950nm IR)

IC1 PIC10F200-I/P

IC1 must be programmed with firmware `sirc10fv10rem.HEX`

which can be download from the Picprojects website

C1 100nF multilayer ceramic on 2.5mm pitch

C2 47µF 6.3V 2mm lead pitch

S1, S2, S3 Omron B3F-10XX or similar

CR2032 + PCB battery holder

Battery holder Keystone Part #106

RS Components part 430-669

Rapid Electronics

2032 Style Coin Cell Holder, part #18-0498

20mm Coin Cell Holder Kystone 106, part #18-3627

3-Button IR Remote Control

<http://picprojects.org.uk>

miniremote

07/02/2010 15:51:27

Sheet: 1/1