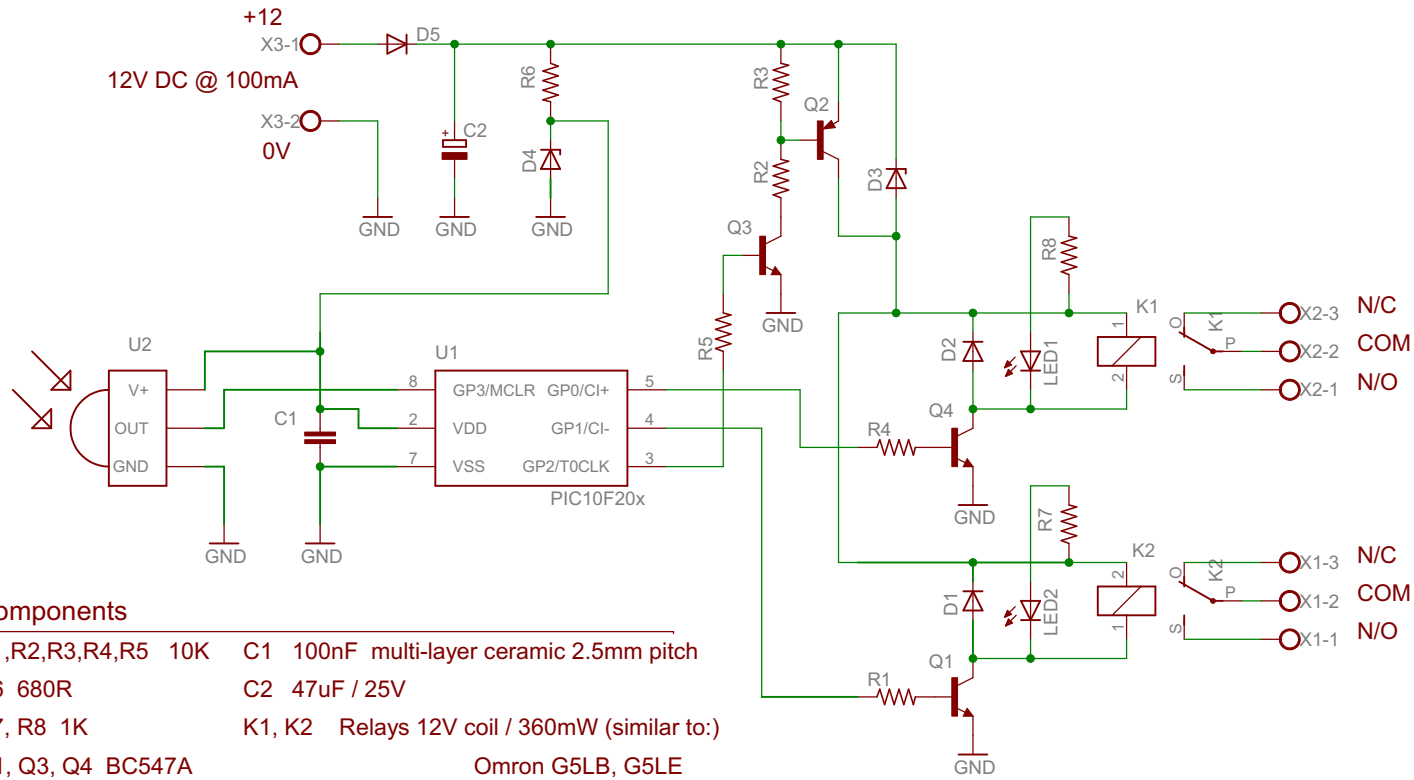


2-Channel IR Remote Controlled Relay Driver with Power Save

<http://picprojects.org.uk>



Components

R1,R2,R3,R4,R5	10K	C1	100nF multi-layer ceramic 2.5mm pitch
R6	680R	C2	47uF / 25V
R7, R8	1K	K1, K2	Relays 12V coil / 360mW (similar to:)
Q1, Q3, Q4	BC547A		Omron G5LB, G5LE
Q2	BC327		Finder 3611.9012.0000
D1, D2, D5	1N4148		Goodsky RW/RWH series
D3, D4	BX55-C5V1 5.1V 500mW Zener		Matsushita JS series
U1	PIC10F200 (with SIRC10F.HEX firmware)		
U2	TSOP4838		

2-Channel IR Remote Controlled
Relay Driver with Power Save

<http://picprojects.org.uk>

sirc10flv

31/01/2010 19:27:41

Sheet: 1/1