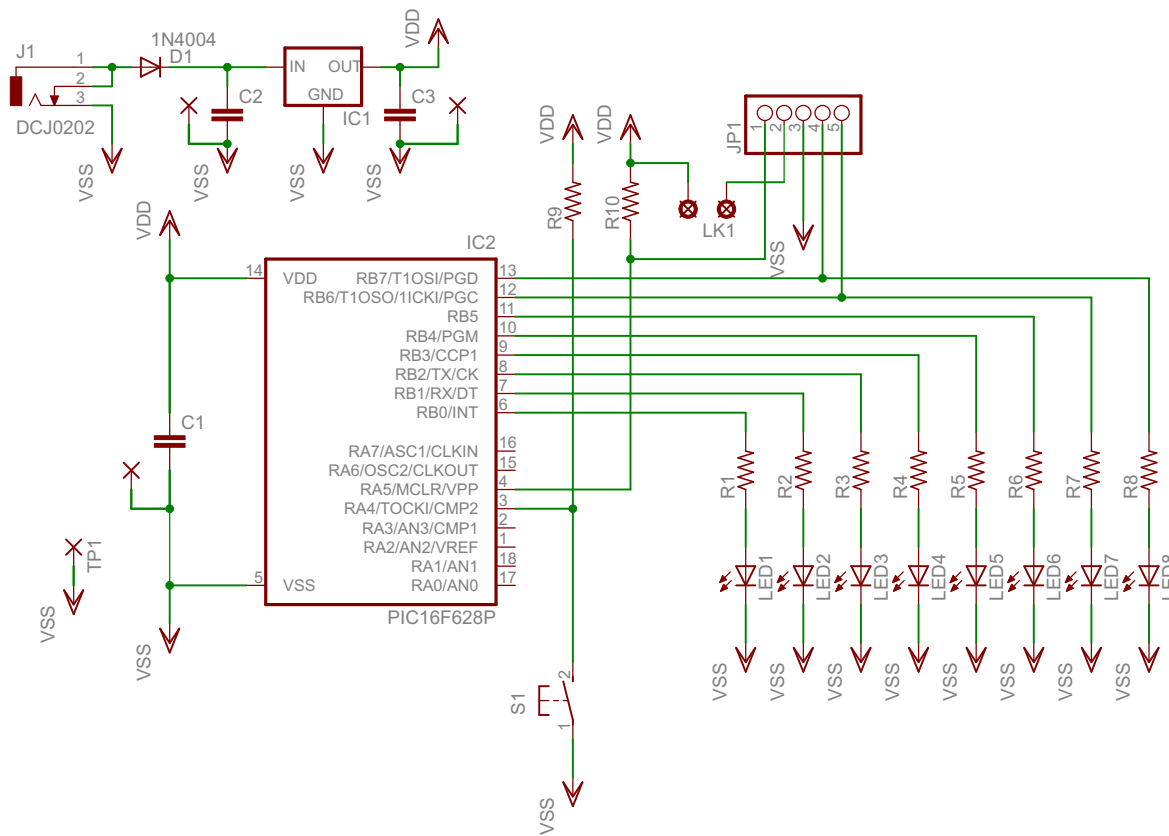


8 Channel LED Chaser

<http://picprojects.org.uk>

(c) 2008



Components

R1-R8 270R
R9, R10 10K

C1, C3 100nF
C2 220nF

D1 1N4001
IC1 7805 1amp 5v regulator
IC2 PIC 16F628A
LED1-8 5mm RED high brightness

S1 Omron B3F-31XX or similar
JP1 5 way 0.1" SIL header
J1 DC Power jack 2.1mm

Resistors 5% 1/4 or 1/8 watt carbon film
Capacitors multilayer ceramic