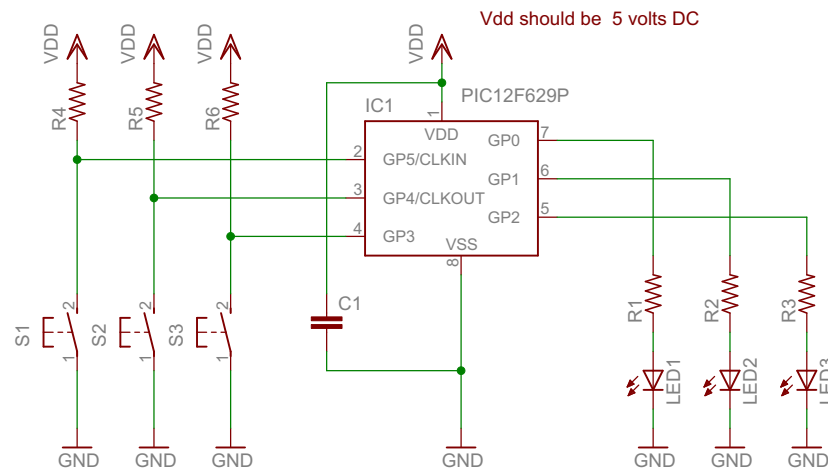


3-way channel selector

Application demo circuit

- R1/2/3 270R 1/4 watt 5% carbon film
- R4/5/6 4K7 1/4 watt 5% carbon film
- C1 100nF ceramic
- LED1/2/3 Any 3mm or 5mm LED
- S1/2/3 Push-to-make switch



When switch is pressed, corresponding output is enabled and the two other outputs are turned off

Firmware features a programmable overlap/deadband delay between turn on and previous output turn off
Configurable from 0 to 130mS in 0,512mS steps

Application demo circuit	http://picprojects.org
PIC12F629 requires programming with firmware	selectorswitch
	05/12/2011 14:50:15
	Sheet: 1/1