

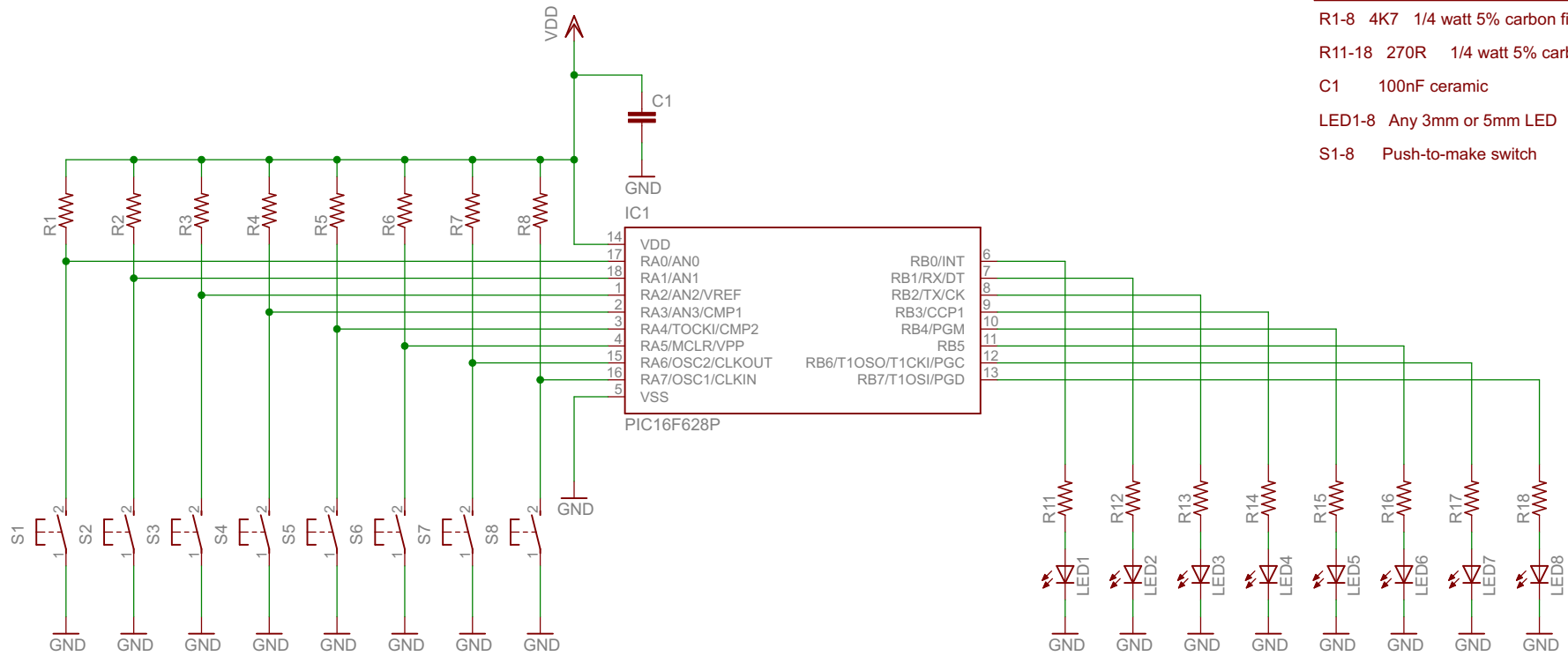
8-way channel selector

Application demo circuit

Vdd should be 5 volts DC

Components

- R1-8 4K7 1/4 watt 5% carbon film
- R11-18 270R 1/4 watt 5% carbon film
- C1 100nF ceramic
- LED1-8 Any 3mm or 5mm LED
- S1-8 Push-to-make switch



When switch is pressed, corresponding output is enabled and the two other outputs are turned off

Firmware features a programmable overlap/deadband delay between turn on and previous output turn off
Configurable from 0 to 130mS in 0.512mS steps

Application demo circuit PIC16F628A requires programming with firmware	http://picprojects.org selectorswitch628 20/11/2012 12:18:14 Sheet: 1/1
---	---