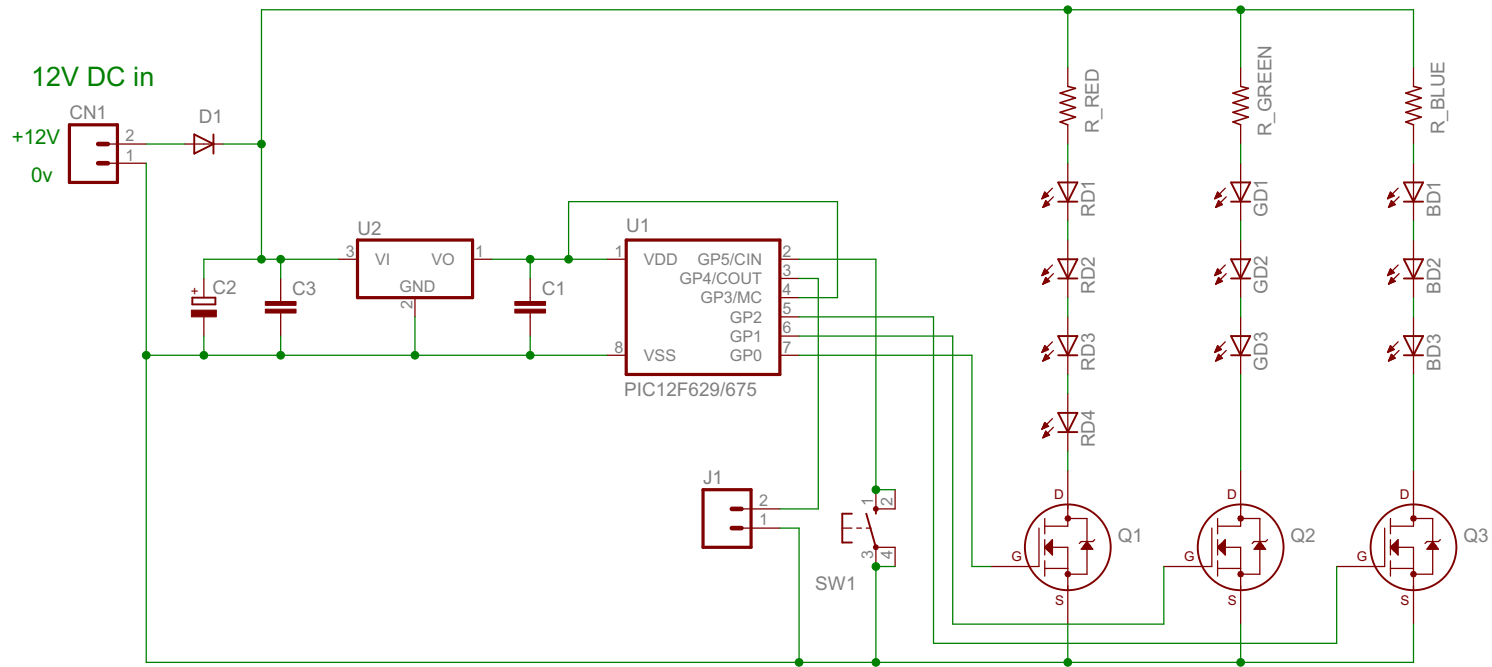


RGB LED PWM Driver

<http://picprojects.org.uk>



Components

| | |
|-----------------|--|
| R_GREEN, R_BLUE | 68R |
| R_RED | 120R |
| C1 | 100nF |
| C2 | 47uF / 16V |
| C3 | 220nF |
| D1 | 1N4148 |
| U1 | PIC 12F629 / 675 or 683 Note: U1 requires programming with firmware from website |
| U2 | 78L05 |
| Q1,2,3 | 2N7000 |
| RD1,2,3,4 | Any high brightness 5mm Red LED |
| GD1,2,3 | Any high brightness 5mm Green LED |
| BD1,2,3 | Any high brightness 5mm Blue LED |
| SW1 | Omron B3F-10XX or similar |