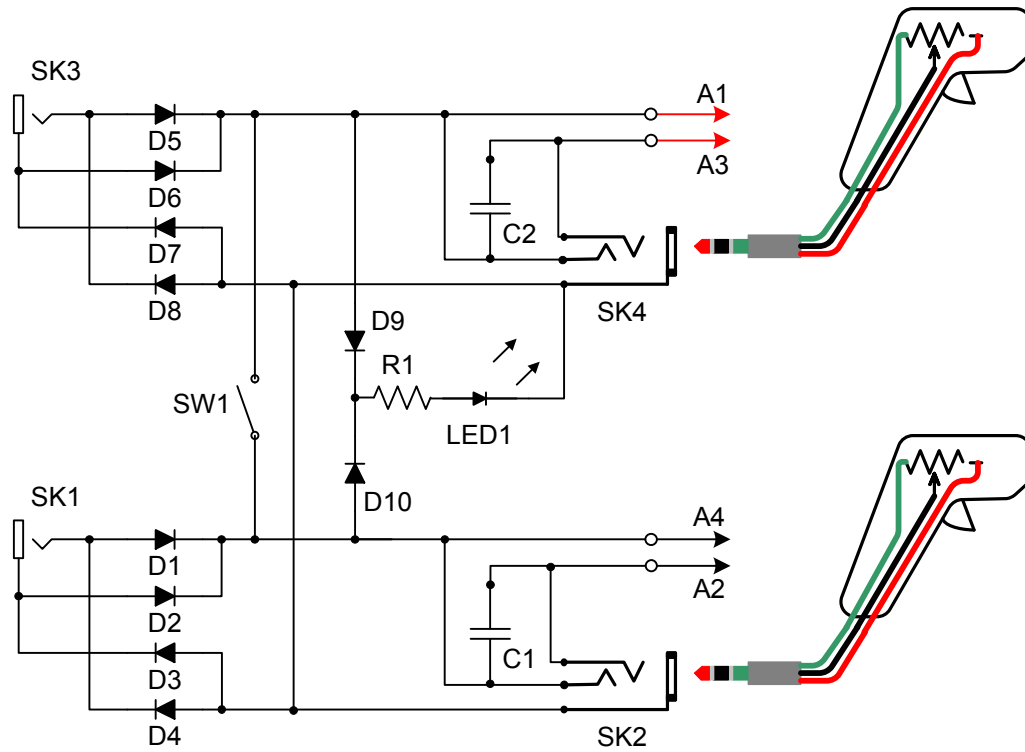


Scalextric Sport C8217 Powerbase schematic

For PCB 'Base Ver B'



Parts	
D1-D10	1N4001 1amp 50volt
R1	1Kohm ½ watt
C1, C2	220nF polyester film 10%
LED1	Red LED

