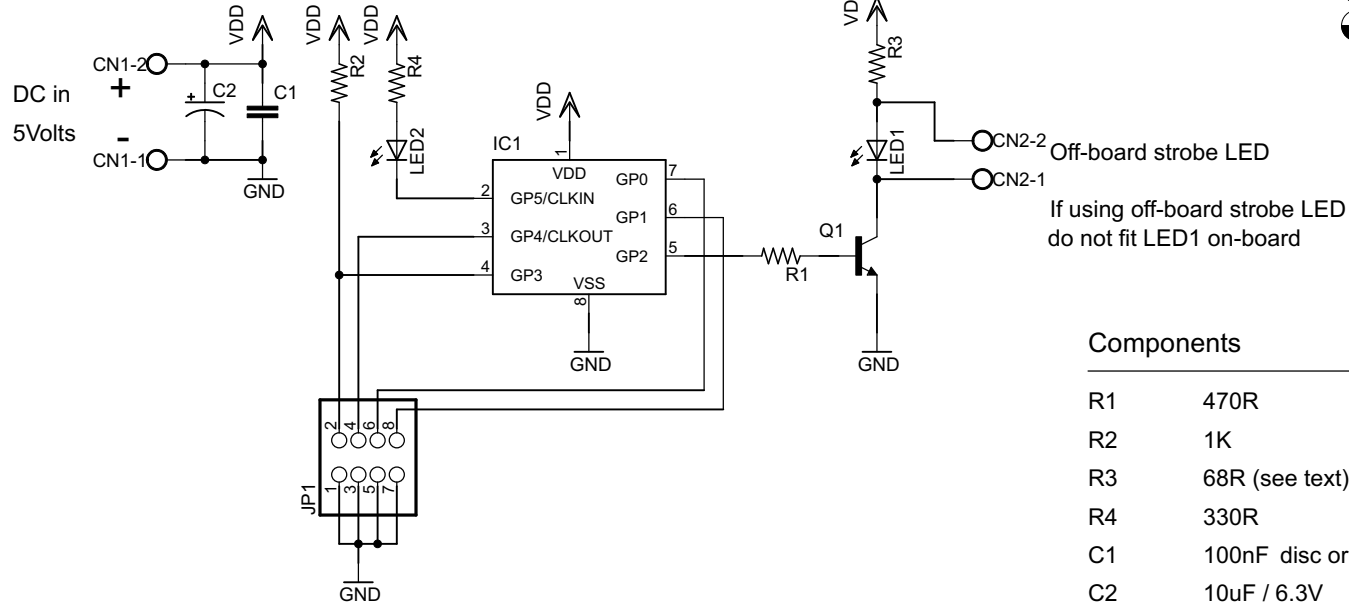


LED Strobe

<http://picprojects.org.uk>



- H1 MOUNT-HOLE3.2
- H2 MOUNT-HOLE3.2
- H3 MOUNT-HOLE3.2
- H4 MOUNT-HOLE3.2

JP1 Jumper Settings

Strobe flash mode		Strobe pulse width		Strobe repeat rate		
1-2	Mode	3-4	Width	7-8	5-6	Rate
closed	double	closed	30mS	closed	closed	1S
open	single	open	100mS	closed	open	2S
				open	closed	3S
				open	open	4S

Components

R1	470R	1/4W, 5%, carbon film
R2	1K	1/4W, 5%, carbon film
R3	68R (see text)	1/4W, 5%, carbon film
R4	330R	1/4W, 5%, carbon film
C1	100nF	disc or multilayer ceramic
C2	10uF / 6.3V	radial electrolytic
LED1	Strobe LED (see text)	
LED2	3mm standard LED	
Q1	BC548B	
JP1	2x4, 0.1" pin header	
CN1	2-way 5mm pitch PCB terminal block	
CN2	2-way 5mm pitch PCB terminal block	
IC1	Microchip PIC 12F629 / 12F675 / 12F683 program with HEX code (see text)	